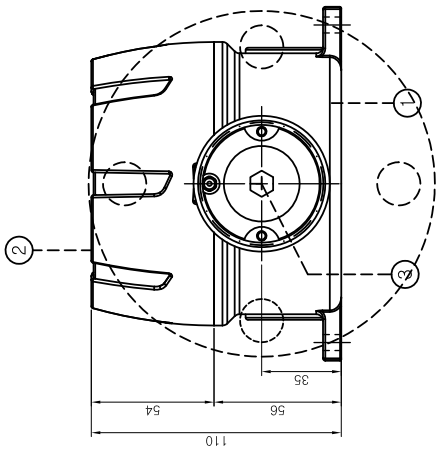
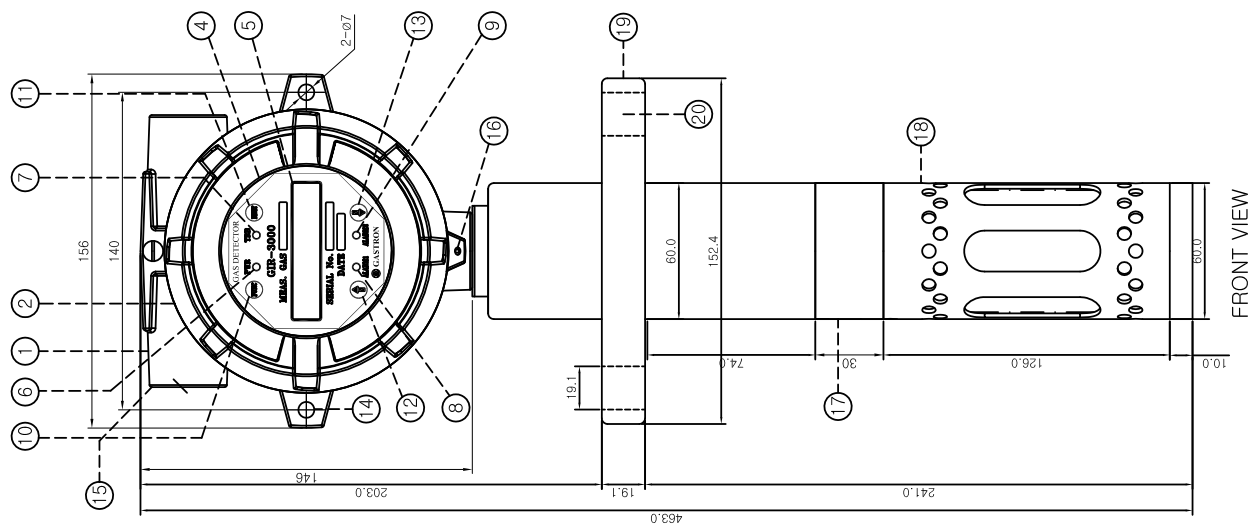


**INSERT TYPE GIR-3000 GAS DETECTOR DIMENSIONAL DWG.**



**BILL OF MATERIAL**

No.	DESCRIPTION	MAT'L	Q'TY	REMARK
1	BODY CASE	ALDC	1	
2	HOUSING COVER	ALDC	1	
3	SOURCE TUBE	SUS 316	1	1/2"
4	DISPLAY WINDOW	HI GL	1	95mm/8.0"
5	LCD DISPLAY		1	20 DIGIT
6	POWER LAMP	LED	1	GREEN
7	TROUBLE LAMP	LED	1	YELLOW
8	ALARM1 LAMP	LED	1	RED
9	ALARM2 LAMP	LED	1	RED
10	FUNCTION KEY		1	MAGNET
11	RESET KEY		1	MAGNET
12	SETTING KEY (▲)		1	MAGNET
13	SETTING KEY (▼)		1	MAGNET
14	MOUNT HOLE		2	7 mm
15	CABLE INLET		1	PT 3/4"
16	LENGH BOLE	SUS 304	1	M5-5mm
17	SENSOR HEAD	SUS 304	1	M5-5mm
18	SPLASH GUARD	SUS 304	1	PF 3/4"
19	MOUNTING FLANGE	SUS 304	1	#150, 2"
20	MOUNTING HOLE	SUS 304	4	0.75"
21				

**GENERAL NOTES**

- MODEL : GIR-3000EX
- FUNCTION : LOCAL LCD DISPLAY  
INTELLIGENT SET-UP FUNCTION  
TRANSMITTER TYPE
- SENSOR TYPE: CONTINUOUS DIFFUSION TYPE
- ENCLOSURE: ATEX/Ex d IIC Gb T6) IECEx
- MEASURING RANGE 1 : 0-100% LEL / IR HC CELL
- RESPONSE TIME: 190<10sec. With 100% LEL
- ZERO DRIFT: 3%-FS/YEAR
- OPERATION TEMP : ELECTRONICS -20°C to 60°C  
STANDARD SENSOR -20°C to 60°C
- OPERATION HUMIDITY : 5 TO 99% RH
- OPERATION POWER: 18-30V.DC / 400mA MAX
- OUTPUT SIGNAL: 4-20mA.DC/FS
- ALARM SIGNAL: 3 x SPDT
- DIGITAL COMMUNICATION : RS-485 MODBUS (OPTION)
- SIGNAL CABLE TYPE: CWS & B 1.5SQ\*3C
- WEIGHT: 3.0kg
- CONDUIT CONNECTION : PF 3/4"

REV.	DESCRIPTION	DATE	REV'D	CHECKED	APP'D

PROJ. NO.	
ITEM NAME	GAS DETECTION & MONITORING SYSTEM
DRAWING NAME	INSERT TYPE GIR-3000 GAS DETECTOR DIMENSIONAL DWG.
PROJECT DOC. NO.	
REV.	△

